



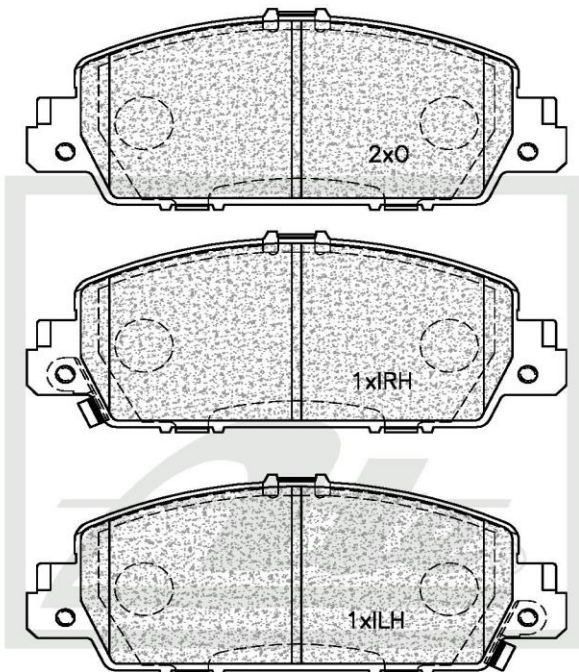
TECHNICAL BULLETIN  
11 OCTOBER 2019

# ATE1353

(ATE and Teves are registered trademarks of Continental Teves AG & Co oHG and/or its affiliates in Frankfurt Germany and other Countries)

## NEW PART NUMBER UPDATE

### Drawing



SUPPLIED WITH 2 X WEAR INDICATOR PADS PER SET  
NOTE : L + R HANDED



### Details of New Part

BRAKE PAD - FRONT

#### Brake Pad Sizes:

Length - 148.5mm  
Height - 60mm  
Thickness - 16.2mm

#### Box Dimensions

Weight - 1870g  
L - 170mm  
H - 55mm  
W - 135mm

#### Barcode



### Vehicle Applications

HONDA HR-V (RU); 2014-

Fr. Position Rr.



CALL NOW TO ORDER YOUR STOCK !!!

(011) 898 1800

Picture(s) of vehicle(s) that this part is suitable for:



www.ate.co.za

"Single Minded about YOUR Safety"